

# RS 200 Performance Line "Canuck"



The ØVERAASEN RS 200 Performance Line "Canuck" is a compact runway snow sweeper to be used in combination with any type of towing vehicle. It can be used in combination with tractors, small trucks, wheel loader etc. The high working speed in combination with the cleaning width of 4 meters/13.1 feet gives the machine an astonishing cleaning capacity per hour. The RS 200 "Canuck" has been designed from the same major components as the RS 200/RS 400. Using the most modern technologies in engine design, hydraulics and electronics makes the Canuck a sustainable alternative for the future.



[eagle-myslik.com](http://eagle-myslik.com)  
[team-eagle.com](http://team-eagle.com)



# RS 200 Performance Line "Canuck"



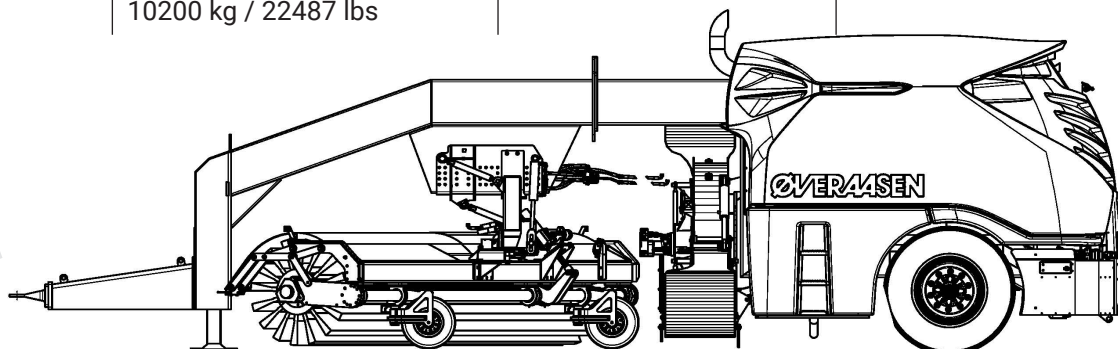
## // ADVANTAGES

- Towing vehicle flexibility
- Strong, heavy design without any vibrations or bouncing
- Compact design
- No sensible micro switches
- Automatic brush adjustment according to speed and wear
- Working speed up to 65 km/h / 40 mph
- Blowing speed 150 m/s / 340 mph / 540 km/h
- Fan capacity 40 000 m<sup>3</sup>/h / 1 410 000 ft<sup>3</sup>/h
- Easy access for service and maintenance
- Bio-fuel for both engine



## // TECHNICAL DATA

Length	8000 mm / 26.2 feet	Blowing speed	150 m/s / 340 mph / 540 km/h
Height	2700 mm / 8.9 feet	Air blower capacity	40 000 m <sup>3</sup> /h / 1 410 000 ft <sup>3</sup> /h
Width transport	4880 mm / 16 feet	Engine	Volvo TAD1181VE EU Stage 5 / Tier 4
Brush diameter	915 mm / 3 feet	Power rating at 1700 rpm	365 kW / 489 HP
Brush material	Steel or poly	Fuel tank	1 000 litres / 264 US gallons
Brush speed	0 - 900 rpm	Hydraulic oil tank	150 litres / 40 US gallons
Clearing width at 32°	4 000 mm / 13.1 feet	Electrical system	24 Volt / 180 AH
Working speed	Max 65 km/h / 40 mph	Controllers	Danfoss Plus1
Clearing capacity	260 000 m <sup>2</sup> /h / 2 800 000 ft <sup>2</sup> /h	Towing vehicle	Tractor or truck w/standard hitch
Weight	10200 kg / 22487 lbs		



Eagle & Myslik Inc.  
2869 South Shoshone  
Englewood, CO, 80110  
Ph: 1-855-835-7171

Team Eagle Ltd.  
10 Trent Drive, PO Box 670  
Campbellford, Ontario, K0L 1L0  
Ph: 1-866-241-3264